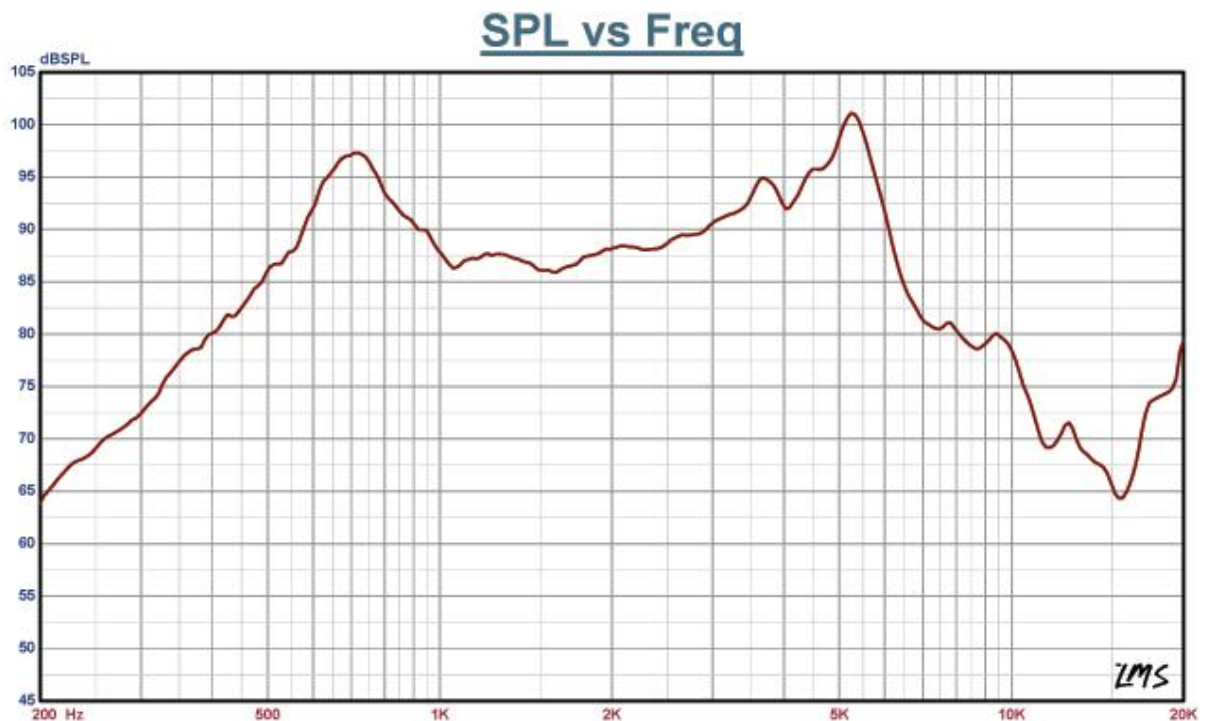
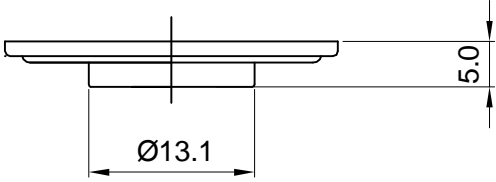
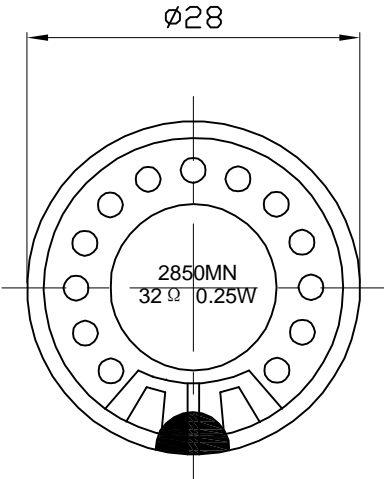


# Speaker Specification 受 控

| Customer's Model No. |                                | Customer  |                            | QUARTZ-1 |               |
|----------------------|--------------------------------|---|----------------------------|----------|---------------|
| Kepo Model No.       |                                | KPSP2850MN-08/0.25E<br>-19657.01  | Size                       | Φ28mm    | No. J19657.01 |
| No.                  | Item                           | Specification   | Test Condition             |          |               |
| 1                    | Impedance                      | 8Ω  | at 800Hz                   |          |               |
| 2                    | Resonant Fr. (f <sub>o</sub> ) | 700Hz± 20%  |                            |          |               |
| 3                    | Frequency Range                | F0-6.0KHz   |                            |          |               |
| 4                    | Rated Power                    | 0.25W   |                            |          |               |
| 5                    | Max Power                      | 0.3W  |                            |          |               |
| 6                    | S.P.L.                         | 86± 3dB   | 0.1W / 0.1M at 1.0k        |          |               |
| 7                    | Distortion                     | Max 5%  | at rated power 1.0kHz      |          |               |
| 8                    | Sweep Test                     | must be normal  | at sine wave 1.41 V        |          |               |
| 9                    | Load Test                      | after test meet item 8  | rated noise power, 24 Hrs. |          |               |
| 10                   | Heat Test                      | after test meet item 8  | 50± 2℃ 5Hrs.               |          |               |
| 11                   | Cold Test                      | after test meet item 8  | -20± 2℃ 5Hrs.              |          |               |
| 12                   | Humidity Test                  | after test meet item 8  | 40± 2℃,90/95%R.H. 5Hrs.    |          |               |
| 13                   | Weight                         |   |                            |          |               |
| 14                   | Polarity Test                  | When supplied plus D.C. voltage to (+) terminal, the cone must move to forward. |                            |          |               |
| 15                   | Note                           |   |                            |          |               |



Dimensions:



FIRST ANGLE PROJECTION

UNIT : mm  
Tolerance :  $\pm 0.2$